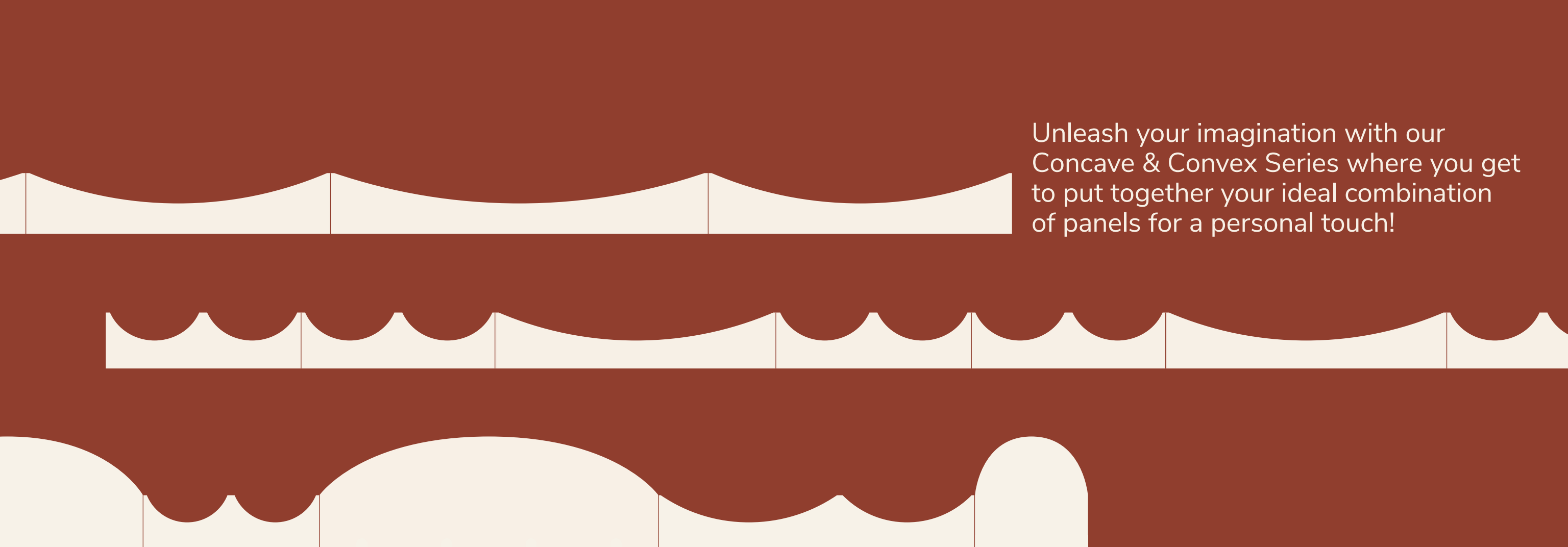


REFINE BY CHROMA

THE CONCAVE & CONVEX SERIES

FILM LAMINATION





Unleash your imagination with our Concave & Convex Series where you get to put together your ideal combination of panels for a personal touch!

**Canvas of possibilities
with endless configurations**

Table of Contents

About Us	02
The Concave & Convex Series	03
Be Inspired: Concave	04
Be Inspired: Convex	05
Features and Specifications	07
Colours	07
Installation Guide	08
Product Range	09

About Us

Finer things, beautifully curated, exquisite collection

Refine by CHROMA is a brand that carries an exquisite range of premium wood panels. The first two collections under Refine are the Concave and Solid Series which consists of a variety of textures and colours to choose from.

Grown from Chroma Furnishing, we have a rich history and vast knowledge in the residential and commercial furnishing industry, our growth recorded over the years has never changed our drive to create one-of-a-kind products. We are continually exploring new decorating solutions, made to measure and conceived with exquisite taste made available to everyone — from the professional to the pure passionate.

The Concave & Convex Series

Random match interior wall panels are crafted and assembled in a haphazard or non-repetitive pattern. This distinctive design approach creates a unique and visually engaging surface. Each panel showcases the natural beauty of wood grains, knots, and textures, making them a versatile and aesthetically pleasing choice for interior wall coverings or furniture.



78mm
Convex

120mm
Concave

120mm
Convex

150mm
Convex



Be Inspired:

Concave

Profile shown:



Colour:

White maple

Other possible configurations:





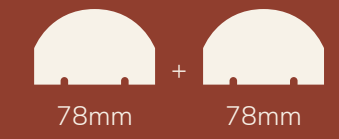
Be Inspired:

Convex



Colour: Dark walnut

Other possible configurations:



Be Inspired:

Convex

Profile:  +  +

50mm 150mm

 +  +

120mm 78mm

 +  +

120mm 50mm

 + 

78mm 150mm

Colour: Natural oak

Features and Specifications

Product Features



High Spec Interior
Film Lamination with MDF Core



Scratch
Resistance



Low
Maintenance



Weather
Adaptability

Technical Specifications

Material: High Spec Interior Film
Lamination with MDF Core

Applications

Any kind of wall applications as
decorative purposes for interior spaces.

Available Colours

01 White Maple

02 White Oak

03 Natural Oak

04 Maple Oak

05 Muji

06 Ebony

07 Sandalwood

08 Earth

09 Dark Walnut

10 Black Ebony

OR

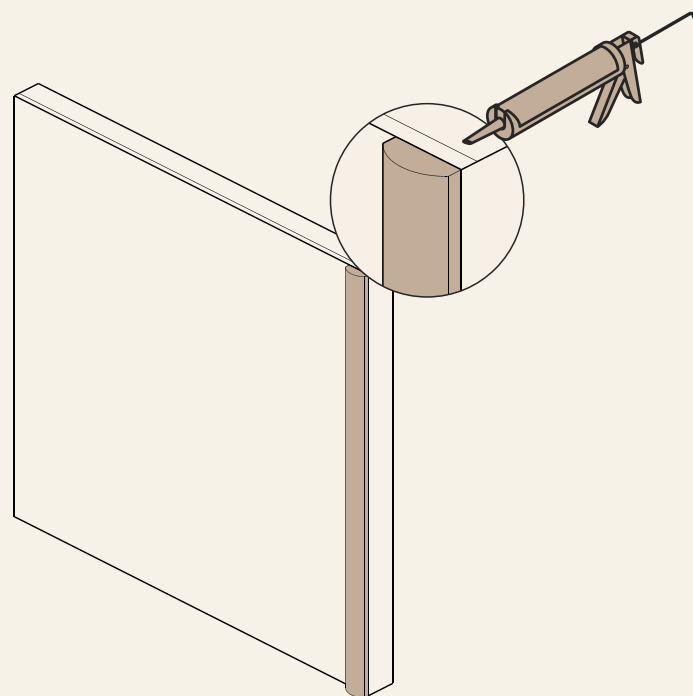
12 Raw Unfinished

Installation Guide

Step 1

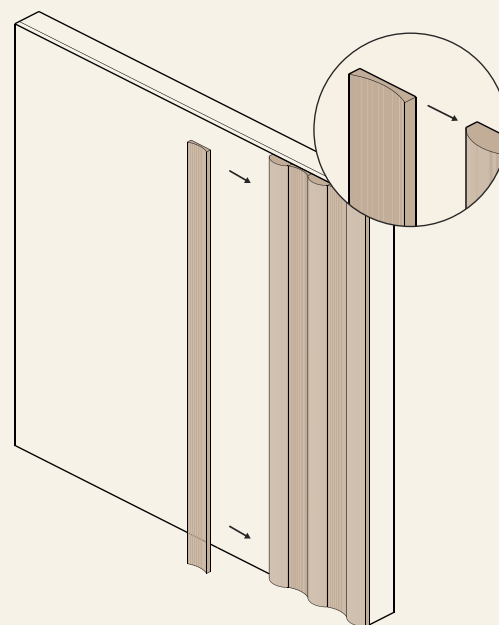
Install the first panel and use construction glue to fix in place.

(Note: recommended to use plywood backing)



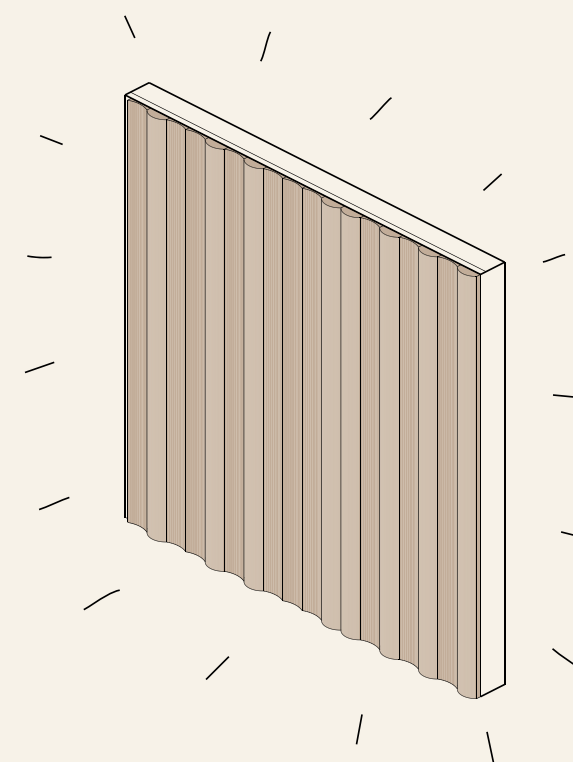
Step 2

Install the following wall panels by repeating Step 1 for each piece.



Step 3

Finish with installing other panels. It's that easy!



Product Range

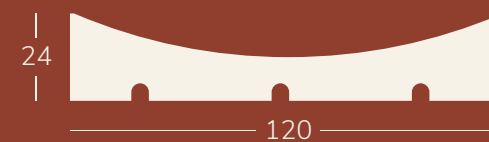
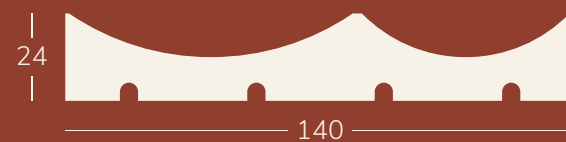
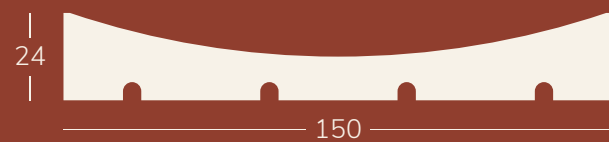
Concave & Convex

Fluidic, influenced by nature, curves are often designed to soften an interior space

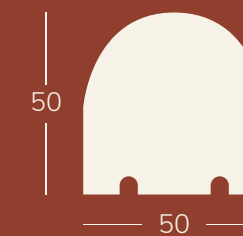
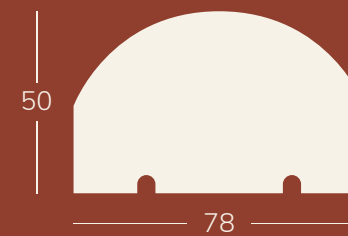
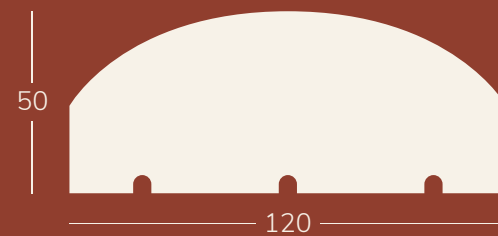
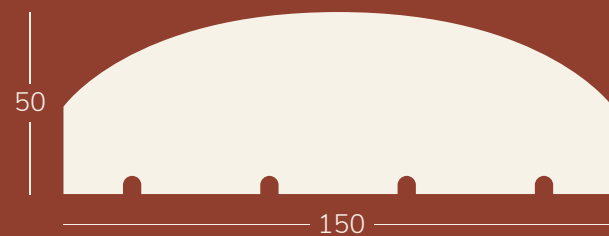
Size: As per stated
 Length: 2.75m
 Material: High Spec Interior Film Lamination with MDF Core

Please check for available colours*

Concave profiles



Convex profiles





62 Ubi Road 1, Oxley Bizhub 2, #01-41, Singapore 408734

20 Depot Lane #01-05, Singapore 109763

t. +65 6926 2610

m. +65 8788 6890 (*WhatsApp only*)

e. enquiry@chroma.com.sg

chroma-living.com

chromafurnishing.com



A part of

CHROMA
FURNISHING