


# Decorative Wood Panels

Fluted Panels V.1



03 Introduction  
05 Premium Fluted Panels  
07 Colour Chart  
09 Features & Specifications

# Up your wall game

**What if you could decorate a wall with your desired finishing, that reflects good taste and levels of confidence, and best of all, with fuss-free installation?**

Many people are eschewing the option of having plain painted walls for their interiors, choosing instead to go with a variety of wall treatments to give the spaces the wow-factor they deserve. Using craft, technology and natural references, you can now transform a wall into a stunning accent piece.

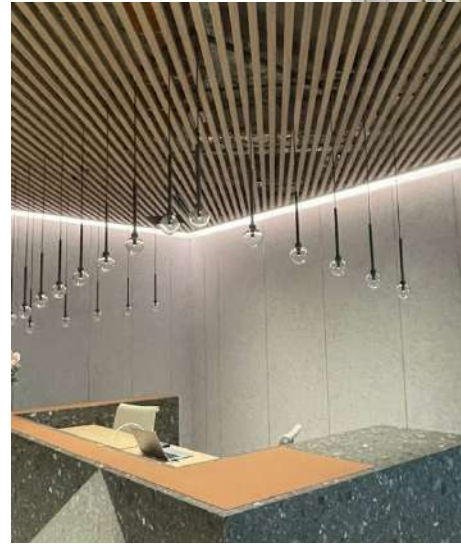
A feature wall ornamented with fluting — those three-dimensional, vertical channels that create an elegant interplay of light and shadow, made its way inside as high-style detailing on decorative paneling.

Often used as a textural and focal element, the Fluted Wall is a collection of sophisticated wall panels with linear designs made of engineered composites, which usually come with a variety of natural wood finish. With its clean, crisp and continuous lines, the material offers a sense of warmth and welcoming texture, creating a unique atmosphere for living.

The Fluted Wall is low maintenance, eco friendly, and durable with water-resistance and mold and termite protection. The ability to elevate confidence in space has made it highly favorable for residential and commercial decorations.

Fluted panels with different spacing and colors can also be used to create simple and beautiful patterns. For instance, a fluted wall panel in an oak finish can be used on the upper half of the wall, with a plain white or off-white color on the bottom. In a retail store, hotel, or an office, the fluted panel can be used to form a continuation from similar designs on a reception or cashier counter.

The uniquely versatile design of fluted panels ensures that they can be installed to best suit your project. In practice, this means you can specify the placement, curvature, and angle of installation that precisely matches your needs.



# Creativity within reach

# Premium Fluted Panels

Our Premium Fluted Panels are made of an engineered composite material, consisting of Wood Plastic Composite with surface finish film Lamination.

This is a new composite material with appearance and texture of natural wood with enhanced properties to reduce the need for maintenance.

Our fluted panel series is the true green sustainable solution to interior cladding projects for both residential and commercial usage. The unique production process and technologies can reduce the loss of raw materials to zero. It is also recyclable without harmful substance and toxic gas volatilization.



## Elegant

**Slim, subtle. Perfect interior wall decor without being too overpowering**

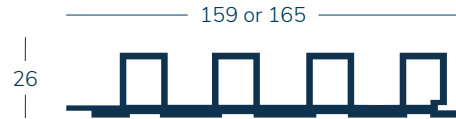
Size: 156mm x 10mm  
Length: 2800 mm  
Material: Wood plastic composite



## Premier

**Our most popular series, creating smooth linear continuity in an interior space**

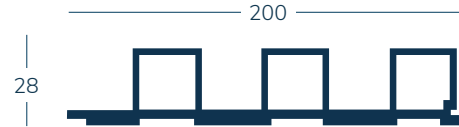
Size: 159mm or 165mm x 26mm  
Length: 2800 mm  
Material: Wood plastic composite



## Luxe

**Bold and elegant, Luxe series can be used to achieve an exceptional look to an interior**

Size: 200mm x 28mm  
Length: 2800 mm  
Material: Wood plast





## Grooves

More pronounced depth

Size: 173mm x 20mm  
 Length: 2800 mm  
 Material: Wood plastic composite



## Sleekline

For a flatter and gentler look, while maintaining an interesting edge.

Size: 250mm x 10mm  
 Length: 2800 mm  
 Material: Wood plastic composite



## Ribbed

Curved columns can spruce up an interior space with an exquisite touch.

Size: 158mm x 15mm  
 Length: 2800 mm  
 Material: Wood plastic composite



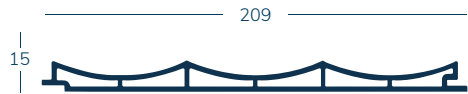




## Wave

Subtle curves, smooth as waves.

Size: 209mm x 15mm  
Length: 2800 mm  
Material: Wood plastic composite



## Arch

Subtle curves, smooth as waves.

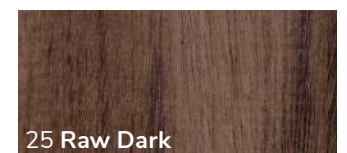
Size: 159mm x 15mm  
Length: 2800 mm  
Material: Wood plastic composite



# 10 Colour Chart



Unfinished:



\*Please check for available colours

# " Features & Specifications

## Product Features



Anti Mould  
& Termites



Water  
Resistant



Durable



Low  
Maintenance

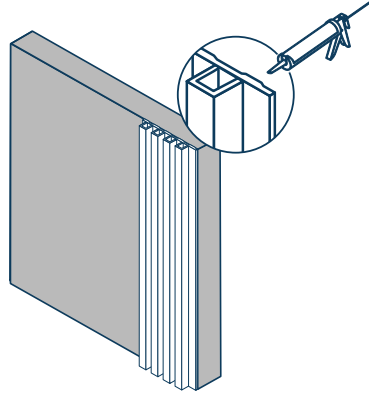


Easy  
Installation

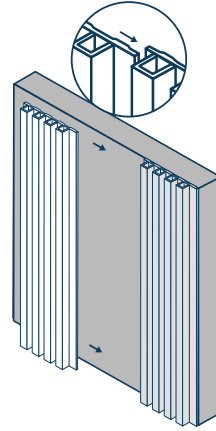


100%  
Eco Friendly

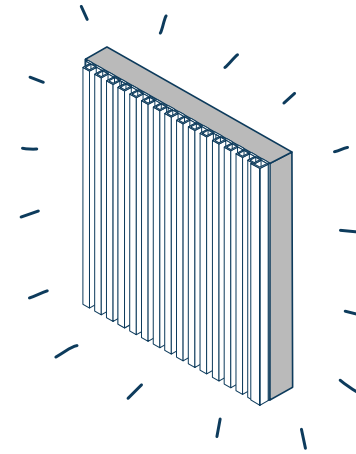
## Installation - Full Wall



1. Install the first panel, and use construction glue to fix to place.



2. Install the second wall panel by placing the long connecting flap over the shorter flap.



3. Install L capping. It is that easy!

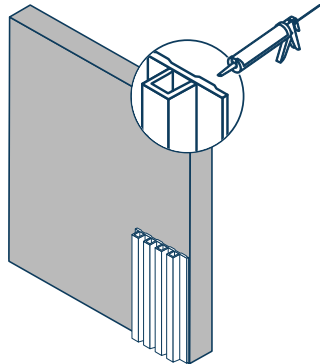
## Applications

Any kind of wall applications as decorative purposes for interior spaces.

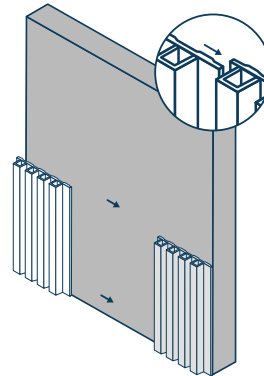
## Technical Specifications

Material:	Wood powder, PVC, and other reinforcing additives
Fire rating:	Available upon request
Formaldehyde:	Formaldehyde free
Eco Certification:	FSC 100%

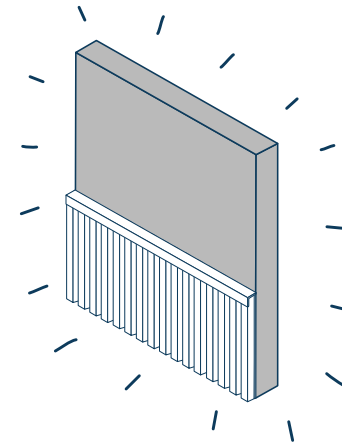
## Installation - Half Wall



1. Install the first panel, and use construction glue to fix to place.



2. Install the second wall panel by placing the long connecting flap over the shorter flap.



3. Install L capping. It is that easy!



“Installation was effortless, loving our new conversation starter”

+65 8788 6890  
+65 6926 2610  
enquiry@chroma-living.com

62 Ubi Road 1 Oxley Bizhub 2,  
#01-41, Singapore 408734

[chroma-living.com](http://chroma-living.com)  
[chromafurnishing.com](http://chromafurnishing.com)



A part of

**CHROMA**  
FURNISHING