

# Specifications (Solid Concave Panel)

Chroma Solid Concave Panels are decorative elements that can be used for both commercial and residential interiors.



## PROPERTIES



### Solid Concave Panel

Curves that create fluidity designed to soften an interior space

Size: 120mm x 17mm  
Length: 2800mm

#### Applications

Any kind of wall applications as decorative purposes for interior spaces.

#### Technical Specifications

Material: Premium Film Lamination with Pinewood core

#### Product Features



High Spec Interior Sticker Finishes



Scratch Resistance

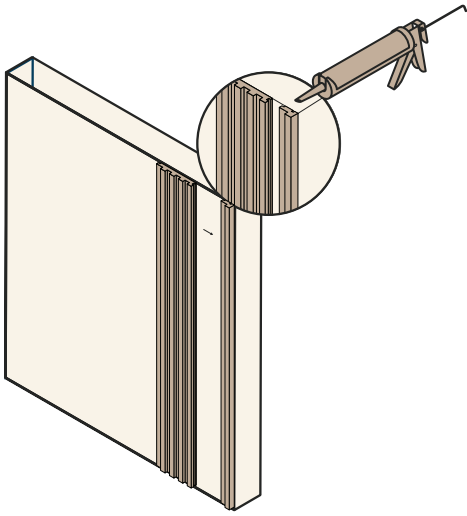


Low Maintenance

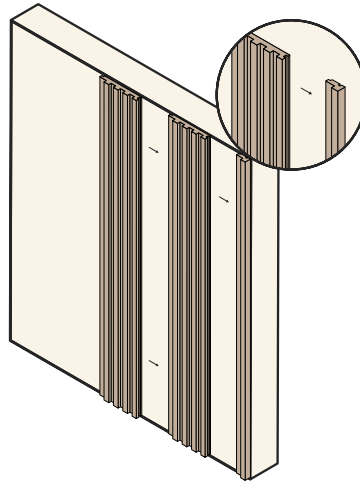


Weather Adaptability

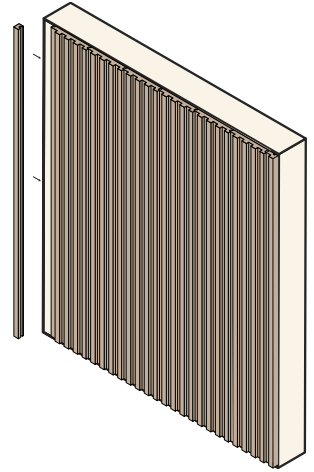
# Installation



1. Install the first panel or end cap and use construction glue to fix in place.



2. Install the second wall panel by placing the long connecting flap over the shorter flap.



3. Install end cap or other finishing trimming. It's that easy!

# Colour Chart

