

Specifications (Solid Tube Panel)

Chroma Solid Tube Panels are decorative elements that can be used for both commercial and residential interiors.



PROPERTIES



Solid Tube Panel

Circular and curvy, creating a soft continuity

Size: 150mm x 17mm
Length: 2800mm

Applications

Any kind of wall applications as decorative purposes for interior spaces.

Technical Specifications

Material: Premium Film Lamination with Pinewood core

Product Features



High Spec Interior Sticker Finishes



Scratch Resistance

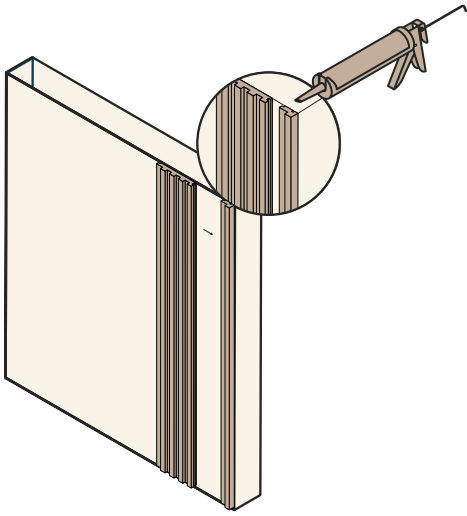


Low Maintenance

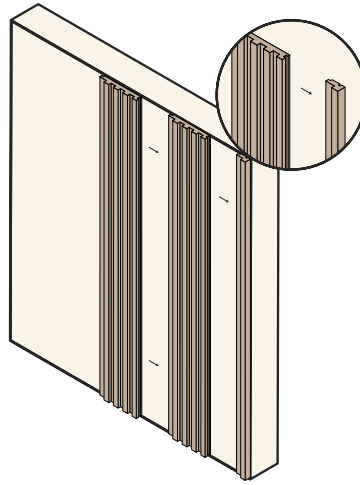


Weather Adaptability

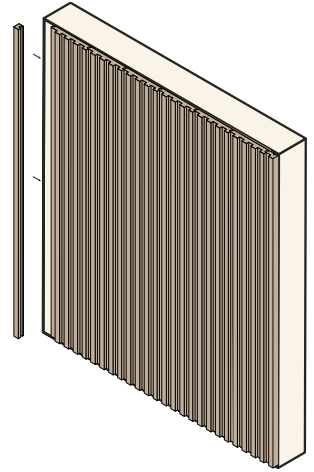
Installation



1. Install the first panel or end cap and use construction glue to fix in place.



2. Install the second wall panel by placing the long connecting flap over the shorter flap.



3. Install end cap or other finishing trimming. It's that easy!

Colour Chart

